

TIPX-150

15 Inch Marine Panel PC

GENERAL _

TIPX-150 is a marine used TFT LCD display panel PC (9th Gen Intel CPU, Windows 10). It has 1024 x 768 pixels visible resolution, which is designed and tailored for use in operator display and computer operating systems such as IAS, ICMS, FAMS, AMS, EMS, BWTS, VRCS etc.

KEY FEATURES _

- 9th Gen Intel® Core i7/i5/i3
- 1024 x 768 (4:3) Resolutions
- 5-Wire Resistive Touch Screen
- OS: Windows 10 Pro/ 10 Embedded
- RS-232/422/485, LAN Communication.
- Power range : AC 110 ~ 230V Input or DC 24V Input
- LCD PANEL backlight unit : LCD Backlight units
- Type approved by ABS, DNV, KR, LR, IEC60945

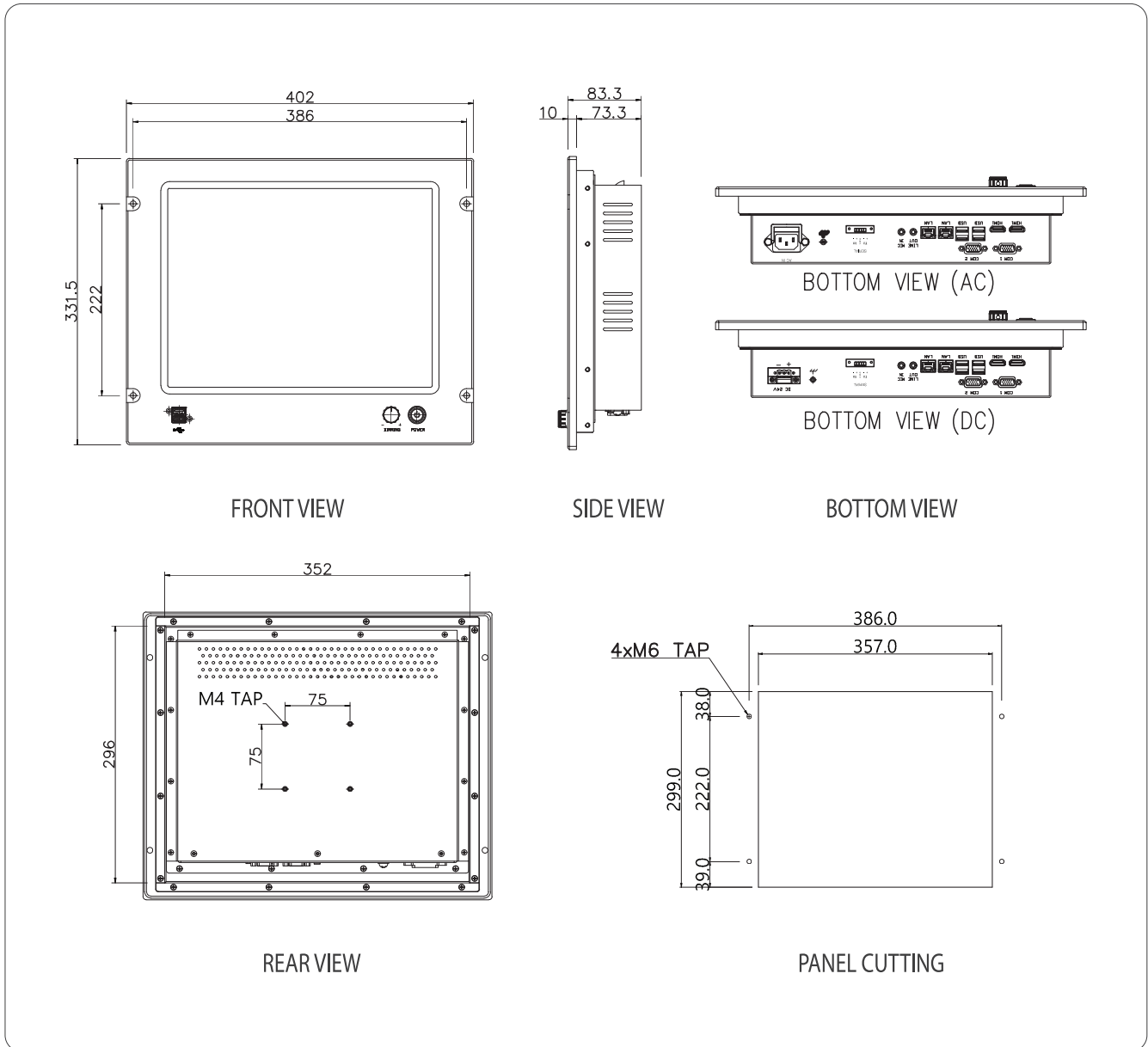


GENERAL FEATURE _

Section		Specifications
System	CPU	9th Gen Intel® Core i7/i5/i3
	System Chipset	Intel® H310 Express Chipset
	Memory	1 x 8GB DDR4 So-DIMM
	Storage	1 x 128GB SSD
	Graphic	Intel® UHD Graphics
	LAN	2 x Realtek @ PCIe GB LAN RTL8111H
In/Out Connector	Serial	2 x Com (COM1: RS-232/422/485, COM2: RS-232 Only) 1 x Com (Com3: RS-422/485, Terminal Block)
	USB Port	2 x USB 2.0 (Front), 4 x USB 3.2 (Rear)
	LAN	2 x RJ45
Display	Display	15" XGA Color TFT LCD
	Active Area	304.128 (H) x 228.096 (V) mm
	Resolution	1024 x 768 (4:3)
	Brightness	350 cd/m ²
	Contrast	1,000:1
	Response Time	25ms
	Viewable Angle	89°/89°/89°/89° (Right/Left/Up/Down)
	Color	16.2 Million True Color
	Touch Type	5 - Wire Resistive Touch Screen
Power	Power Input	AC 110~230V 50/60Hz [IEC Standard Type] or DC 24V [Terminal Block]
	Supported OS	Windows 10 Professional
Option	Memory	Up to 4 x 8GB DDR4 32GB
	Storage	Up to 1 x SSD 1TB
	OS	Windows 10 pro, embedded
Product Dimension		402(W) x 331.5(H) x 83.3(D) mm
Product Weight		5.55 kg
Environment		Temperature - Operation: 0~70°C/ Storage: -30~70°C, Humidity: Up to 95%
IP Rating		IP 65 Front
Certification		ABS, DNV, KR, LR, IEC 60945

15 Inch Marine Panel PC

• TIPX-150



#604/605, E&C VENTURE DREAM TOWER II, 55, DIGITAL-RO 33-GIL,
GURO-GU, SEOUL, 08376, REP KOREA

Tel : +82-2-323-4972, E-mail : sales@tetradyne.co.kr Web site : www.tetradyne.co.kr

Specifications and features are subject to change without notice.

All products names are trademarks or registered trademarks of Tetradyne.co.,Ltd.

Contact Point