

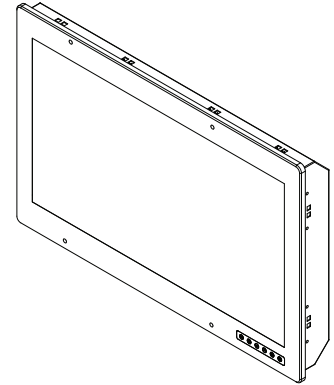
TIMX-W230

23.0 Inch Marine Monitor GENERAL

This specification defines the descriptions for the TIMX-W230 TFT LCD Monitor. TIMX series is developed and designed for use in operator display such as Industrial and Marine applications.

KEY FEATURES

- 23.0 Inch display, 16:9 / 1920 x 1080 Resolution
- HDMI, DVI, RGB, input
- Full Range Digital Dimming Control
- Picture in Picture (PIP)
- Capacitive touch OSD Control
- Optional Power Supplies (AC or DC)
- Resistive Touch Screen
- RS-232/422/485 Communication - Option
- Internal Buzzer Control - Option
- VESA, Flush, Stand Mounting

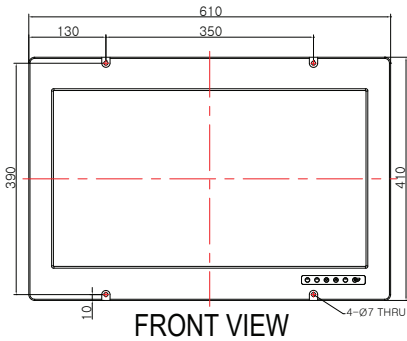


GENERAL FEATURE

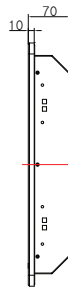
Section	Specifications
TFT Technology	Active Matrix Liquid Crystal Display Amorphous TFT (Thin Film Transistor) Anti-Reflective LED Backlight Technology
Viewable Size	23 inch diagonal
Active Area	509.184mm (H) x 286.416mm (V)
Resolution	1920 x 1080
Pixel Pitch	0.2652 (H) x 0.2652 (V)
Aspect Ratio	16:9
Response Time	14ms
Brightness	300cd/m ²
Contrast Ratio	1000:1
Viewable Angle	89°/89°/89°/89° (Right/Left/Up/Down)
Max Colors	16.7Million True Color
Synchronization Range	31~80KHz (Horizontal) 55~76Hz (Vertical)
Optimal Resolution	1920 x 1080 @60Hz
Detectable Resolution	640 x 480, 800 x 600, 1024 x 768, 1280 x 1024, 1920 x 1080
Input Signal	1 x HDMI, 1 x DVI, 1 x RGB
Power Specification	100~230VAC 50/60Hz (IEC Standard Type) or DC24V (Terminal Block)
Power Consumption	35W (MAX)
Product Dimension	610mm (W) x 70mm (D) x 410mm (H)
Weight	9.8kg
Operation Conditions	Temperature : -15℃ to +55℃ Humidity : up to 95%
Storage Conditions	Temperature : -20℃ to +60℃ Humidity : up to 95%
Options	Display - Resistive Touch Screen, Anti Glare Glass Input Signal - RS-232/422/485, Buzzer, Composite Video
Test Approval	IEC 60945 4th, IACS E-10, IEC 60529
IP-Rating	IP65 Front
Certification	DNV GL

MARINE LCD MONITOR

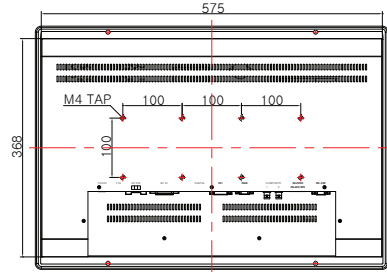
TIMX-W230



FRONT VIEW



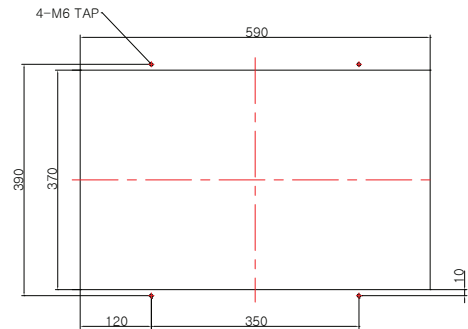
SIDE VIEW



REAR VIEW

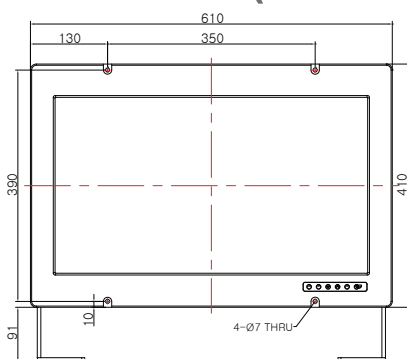


BOTTOM VIEW

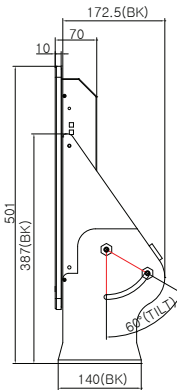


PANEL CUTTING

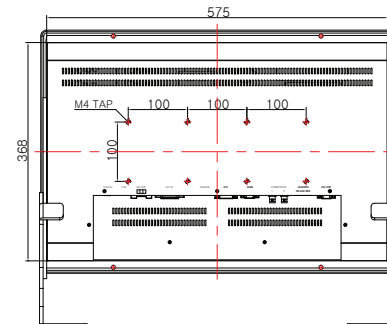
TIMX-W230 (STAND)



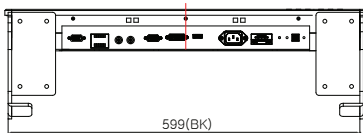
FRONT VIEW



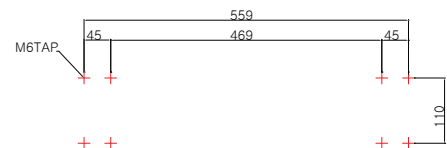
SIDE VIEW



REAR VIEW



BOTTOM VIEW



STAND CUTTING SIZE

Tetradyne Co., LTD.

#604/605, E&C VENTURE DREAM TOWER II, 55,
DIGITAL-RO 33-GIL, GURO-GU, SEOUL, 08376, REP KOREA
Tel : +82-2-323-4972
E-mail : sales@tetradyne.co.kr
Web site : www.tetradyne.co.kr

Contact Point

Specifications and features are subject to change without notice.

All products names are trademarks or registered trademarks of Tetradyne.co.,Ltd.