

TIM-W220SK

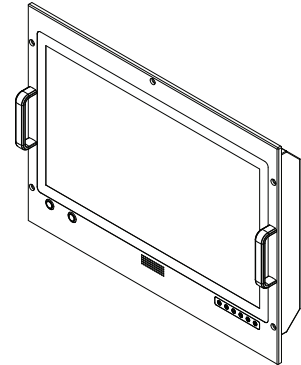
22 Inch Marine Monitor

GENERAL

This specification defines the descriptions for the TIM-W220SK TFT LCD Monitor. TIM-W series is developed and designed for use in operator display such as Naval and Marine applications.

KEY FEATURES

- 22 Inch display, 16:9 / 1920 x 1080 Resolution
- DVI, RGB Input
- Audio Input / 5 Watt Speaker Built-In
- Full Range Digital Dimming Control
- Picture in Picture (PIP)
- Capacitive touch OSD Control
- AC100~230V Power Input
- Projected Capacitive Touch Screen - Option

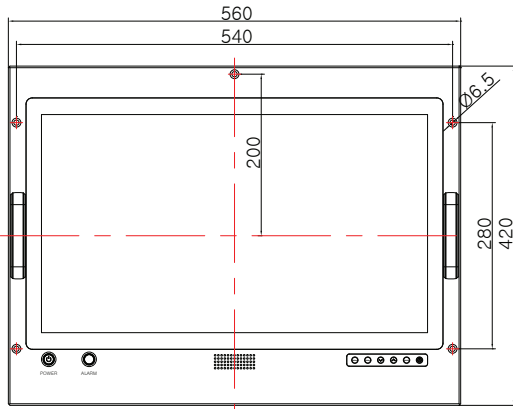


GENERAL FEATURE

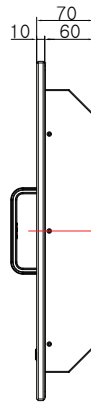
Section	Specifications
TFT Technology	Active Matrix Liquid Crystal Display Amorphous TFT (Thin Film Transistor) Anti-Glare & Anti-Reflective LED Backlight Technology
Viewable Size	21.5 inch diagonal
Active Area	476.64(H) x 268.11(V)mm
Resolution	1920 x 1080
Pixel Pitch	0.24825(H) x 0.24825(V)mm
Aspect Ratio	16:9
Response Time	18ms
Brightness	300cd/m ²
Contrast Ratio	1500:1
Viewable Angle	89°/89°/89°/89°(R/L /U/D)
Max Colors	16.7Million True Color
Synchronization Range	31~80KHz (Horizontal) 55~76Hz (Vertical)
Optimal Resolution	1920 x 1080 @60Hz
Detectable Resolution	640 x 480, 800 x 600, 1024 x 768, 1280 x 1024, 1920 x 1080
Input Signal	1 x VGA In 1 x DVI In 1 x Audio In 1 x PC Power/Alarm Button Control
Power Specification	100~230VAC 50/60Hz (IEC Standard Type)
Power Consumption	35W (MAX)
Product Dimension	560(W) x 70(D) x 420(H)mm
Weight	9.8kg
Operation Conditions	Temperature : -15°C to +55°C Humidity : up to 95%
Storage Conditions	Temperature : -20°C to +60°C Humidity : up to 95%
Options	Projected Capacitive Touch Screen, Anti Glare Glass, Optical Bonding, Sunlight Readable/High Brightness, RS-242/422/485, Buzzer, Composite Video
Type Approval	IEC 60945, IACS E-10

MARINE LCD MONITOR

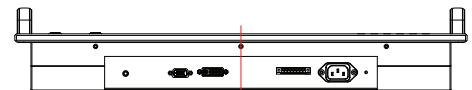
TIM-W220SK



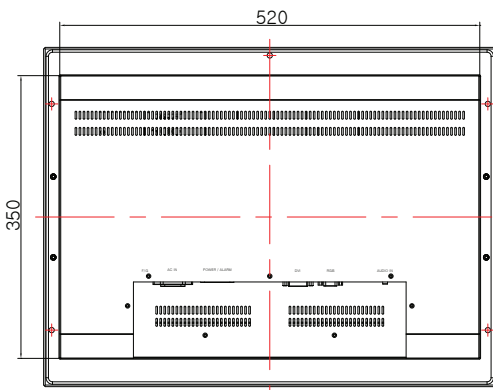
FRONT VIEW



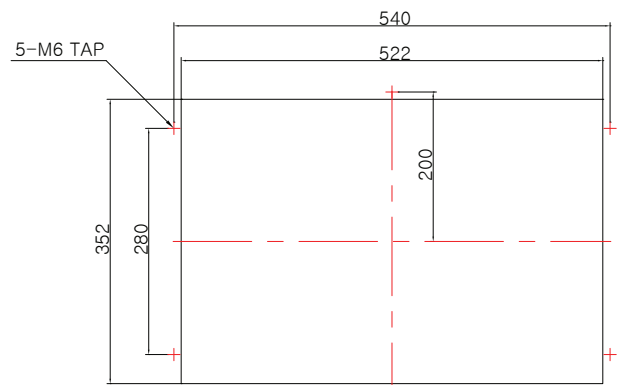
SIDE VIEW



BOTTOM VIEW



REAR VIEW



PANEL CUTTING

Tetradyne Co., LTD.

#604/605, E&C VENTURE DREAM TOWER II, 55,
DIGITAL-RO 33-GIL, GURO-GU, SEOUL, 08376, REP KOREA
Tel : +82-2-323-4972
E-mail : sales@tetradyne.co.kr
Web site : www.tetradyne.co.kr

Contact Point

Specifications and features are subject to change without notice.

All products names are trademarks or registered trademarks of Tetradyne.co.,Ltd.